

**Product Overview**  
January 2024

501  
YEARS  
BARCELONA  
1972-2022

# Made in Barcelona since 1972

**At Amate Audio we have been designing and manufacturing professional audio equipment in Barcelona for more than 50 years.**

Throughout that time we have been at the forefront of innovation in professional sound, pioneering the use of numerous new technologies and creating groundbreaking designs. Our current portfolio of

advanced sound reinforcement systems offers the very highest standards of performance and functionality for use in the most demanding application environments.

Juan Amate, the founder of our company, began this legacy in 1972. His vision was to design and build innovative power amplifiers and PA loudspeaker cabinets. Amate Audio is now a second-generation



family company under the leadership of Juan's sons, Joan, as President and Chief Technical Officer, and Jordi, as International Sales Manager, continue to drive the company forward, upholding our commitment to innovation and quality. Joan Amate leads R&D and engineering teams; their collective endeavour is the design and development of speaker systems that exceed the performance expectations.

***“Our focus has always been on continuous learning, adapting to new technologies, and meeting industry needs.”***

Our approach to product design reflects a deep understanding of the intricacies of sound. We strive to combine high-quality electroacoustic components with advanced power and control technologies, all within acoustically engineered enclosures. This meticulous attention to detail is evident in our tightly controlled manufacturing process. Our integrated facilities, equipped with modern anechoic chambers, are pivotal in maintaining our high standards of quality and performance.

Amate Audio's first 50 years have been distinguished by a succession of industry innovations and firsts. These include early implementation of signal processing in active loudspeaker systems and power amplifiers, and the first example of integrated computer control and monitoring in a line-array; the company's very first design of the type.

Today our product portfolio encompasses the full spectrum of professional sound reinforcement applications with industry leading designs in every product class; from proprietary injection-mould commercial audio loudspeakers to stadium filling line arrays. The range includes both self-powered, active systems and passive systems, powered and controlled by our range of outboard lightweight, high efficiency amplifiers and powerful DSP controllers.

***“With over 50 years of experience, the history of the company is marked by being always at the forefront of innovation.”***

With a history spanning decades, Amate Audio is poised to continue our tradition of excellence. Our history is not just a record of past achievements but a foundation for future advancements. We are committed to providing sound solutions that not only meet but anticipate the needs of our clients. With user-friendly digital controls and networking capabilities, our advanced loudspeaker systems are designed to deliver superior audio experiences, today and into the future.



# Over five decades of achievement

## 1972

### A new era of sound:

In 1972 Juan Amate transformed his passion for designing and building PA systems into a commercial enterprise. At the same time new bipolar transistor circuits were enabling development of far more efficient, higher power, higher performing power amplifiers, allowing the design of bigger, better sound systems.

## 90's

### Self-powered PA and signal processing power amps:

First Amate Audio active self-powered PA systems (AT350 - A400SW). World's first power amplifier series with mains 400 VAC electronic overvoltage protection and selectable signal processing cards for different loudspeaker systems (DPU series).

## 80's

### Onboard electronics:

Amate Audio designs the first power amplifiers with integrated anti-clip limiters (AD series), introducing a new feature that would soon become a standard. World's first 3-channel (2.1) power amplifier with built-in active signal processing and crossover (Triphonic).

*"I had developed a passion to do something to enable the beauty, power and nuance of a musical performance to be heard in a more perfect, natural way"*

- Juan Amate  
CEO & Founder  
1972

MD cluster array (90's)





XA211 line array speaker system (2023)

## 00's

### **Beyond active:**

The rise of high efficiency, higher rated self-powered active PA systems with Class D amplification, like the Amate Audio MA210, the world's first line array with onboard digital signal processing (DSP) and computer remote control (MA series).

## 10's

### **The Xcellence years:**

Xcellence, a new premium series of active self-powered, sound reinforcement systems with onboard DSP, Ethernet / Wi-Fi control, offering unparalleled levels of quality, performance and operational efficiency.

## 20's

### **Xcellence, Nítid, Active+ and the next decade:**

New implementations of our unique touchscreen power & control technologies provide higher orders of system management, feature intelligent pre-set 'sound design' capabilities that automate manually intensive processes by systematically configuring amplifier gain, crossover and limiter settings according to application. Together with high-order FIR filtering, for absolute phase coherent PEQ adjustment and cabinet and delay line alignment, and digital audio networking, these ensure superior resultant performance and massively reduced deployment time, and are revolutionising the roles of system engineer and installer.

Combined with the continuous evaluation and optimisation of electro-acoustic components, within proprietary wooden and injection-mould enclosures, we continuously achieve ever better performance from ever more compact, aesthetic designs.

# Driven by technology, defined by innovation

At Amate Audio, we understand that the synergy of research, collaboration, and advanced technology is fundamental to our success.

In our Research and Development department, a team of engineers and researchers painstakingly works towards perfecting our sound systems; integrating the latest processing technologies and acoustic components, in designs that provide innovative solutions and exceed performance expectations.



Cámara de Comercio  
Premio a la Innovación 2009



Cámara de Comercio  
Premio a la Innovación 2017



MD212 and MD218 processed speaker system (1993)



X102FD point source system (2019)



Our leading-edge testing laboratory is at the forefront of our innovation, where new design concepts are born and undergo rigorous quality control and product analysis. Our facilities are equipped with two anechoic chambers, ensuring that we consistently achieve the highest standards of performance. One chamber is devoted to meticulous quality control, while the other is a hub of research, recognized as one of the most advanced in Europe. Its size, automation, and control systems have won us the Innovation Award from the Terrassa Chamber of Commerce in both 2009 and 2017.

**We have also been recognised as “Innovative SME” by the Spanish government.**

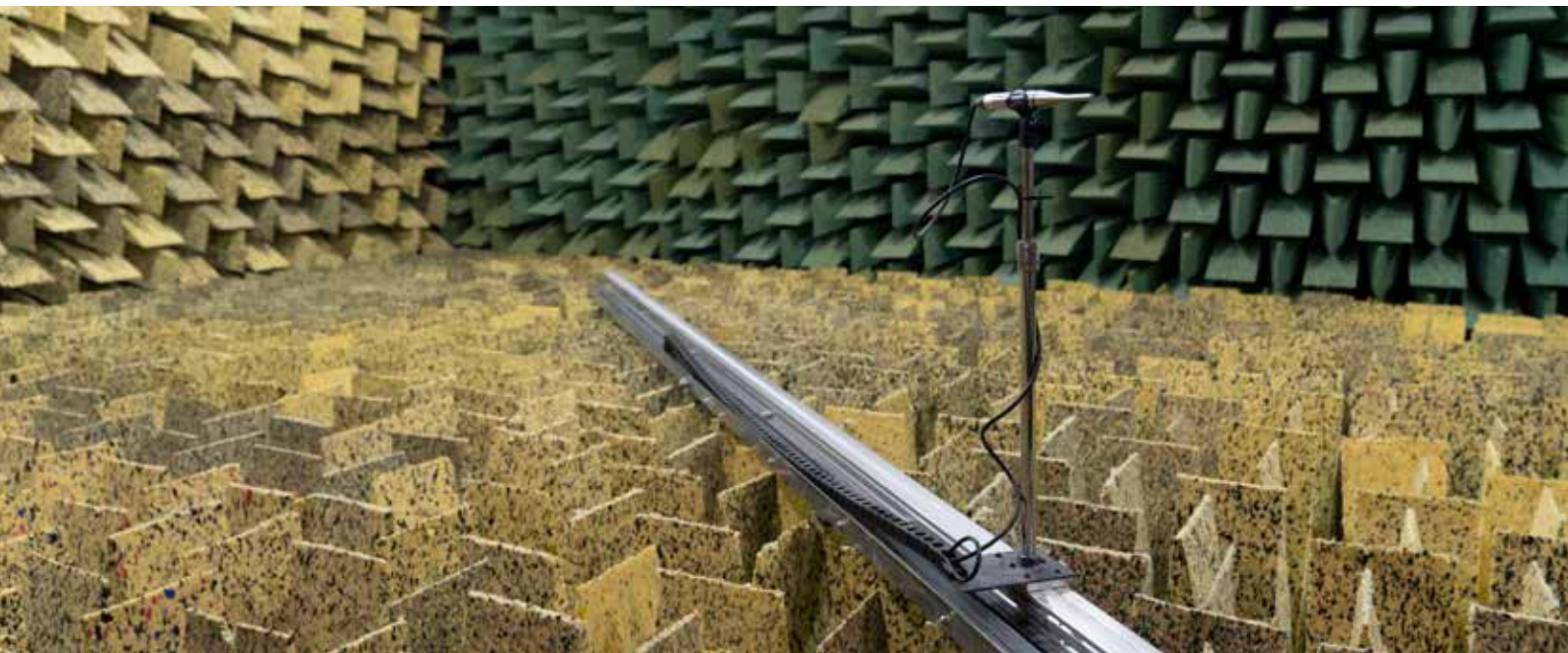


Amate Audio's dedication to pioneering new methods and technologies has been officially acknowledged as “Innovative SME”, a distinction reserved only to companies that demonstrate the highest level of innovation in their projects. This recognition, awarded by the Spanish government, reaffirms our relentless pursuit of excellence and our ambition to lead the industry as innovators.



X212AFD line array speaker system (2019)

The R&D 400m<sup>3</sup> anechoic chamber



# Product design

At Amate Audio we are in constant contact with sound technicians and engineers. Listening to their advice, opinions and aspirations, we are cognizant of the requirements of their craft and the ways in which these are constantly evolving, throughout the process of realizing each new design concept.

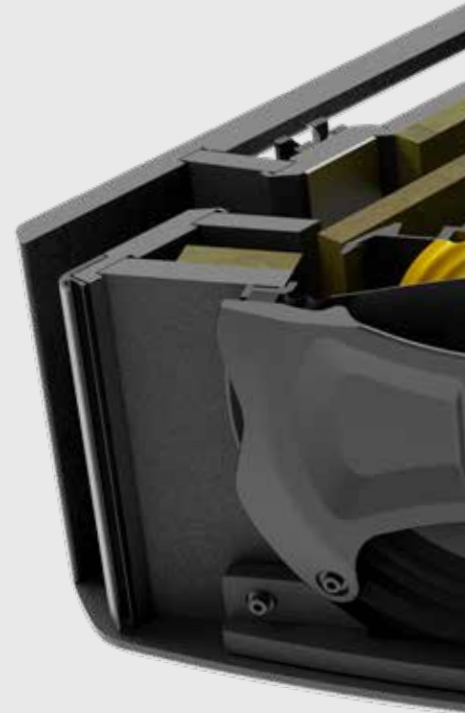
We evaluate every performance and operational parameter, every response characteristic, the ergonomics of handling and usability, strength and reliability – in withstanding the most severe conditions and extreme handling – and the suitability, sourcing and sustainability of different materials.

In developing exceptional sound reinforcement systems, our aim is to fulfil the demands and expectations of all who will use or be entertained by them; engineers and technicians, artists and audiences, dinners and clubbers, theatre goers, festival and stadium crowds. Our mission is to wow them all.

Day-to-day R&D activity involves constant trials and testing of the application of materials and components, to determine the highest possible levels of electronic and acoustic performance, within pro audio specific application design requirements.

## Smart design is key for us

The realisation process for a design project sees the product concept rendered in 3D modelling and the construction of several prototypes to be comprehensively tested under all applicable circumstances.



Nítid S rear-panel touchscreen (2022)







Only when we are fully satisfied that a product meets the very highest standards of performance and operational capability will it finally go into production.

The same meticulous process is applied to the development of our market leading design features, be it our proprietary HF waveguides, touchscreen technology, or advanced digital signal processing platform.

We collaborate closely with experts from local universities and technology centres in many

fields of engineering development, allowing us to continually acquire knowledge of the latest experimental research in acoustics, electronics and design. And, thanks to its in-company product development skills, Amate Audio also offers consultancy and product customisation for specific client applications.

Our products must deliver optimal acoustic performance while simultaneously enabling the greatest possible ease of use and successful application.

# XCELLENCE

**Xcellence** means combining the latest available technologies, an extreme care for the finest details and a user friendly design, in order to create a product that meets the most demanding markets and applications with excellent performance.

**Xcellence** is the response of Amate Audio to the challenge of creating high-end products, a compromise to deliver our best and share with you our passion, the search for the best sound.

**CONTROL SOFTWARE DSP STUDIO®**  
PC & MacOS version available.



All XCELLENCE products feature our original > 400 Volt overvoltage protection.



### Our exclusive waveguides: unrivalled performance

Amate Audio's engineering team has successfully achieved waveguide designs with consistent amplitude and exceptional long throw. The isophasic waveguide assembly, loaded with multiple Neodymium drivers, has been designed exclusively for our line array systems.

As a result, we acquire unsurpassed performance levels with side lobe-free vertical dispersion and crystal clear response at high frequencies.

### DSP Studio® control software

Provides remote control of parameters; gain (per way), limiter, polarity, delay and custom parametric EQs can all be managed from your device (DSP Studio® is available for PC and MacOS). Several elements can be controlled at the same time using grouping functions.

The software also gives complete information about the amplifier status: input and output levels, heat-sink temperature, clip and protection indications.

### Design in every detail

We have invested in and applied the very best knowledge, materials and technology to deliver the ultimate product. Features such as precision-made ergonomic handles and metallic finish grilles speak for themselves.

Not only do they contribute to an appealing look, but they also allow comfortable handling and protection against moisture, rain and dust.

### Premium custom components

Xcellence series has been precision engineered with customised components that optimise the acoustic properties of each cabinet design. Customising transducers, control circuits, user interfaces, horns and waveguides, allows us to achieve the highest attainable levels of system performance.



## New Touchscreen Interface





# Point Source / Stage Monitor

## X14FD

### Self-powered

14" COAXIAL ACTIVE SELF-POWERED  
BI-AMPLIFIED. 1500W

**64-bit DSP with FIR filters.**

Ethernet connectivity · Built-in DSP – Presets –  
Touchscreen – Neodymium coaxial woofer



**Amplifier Program Power :** 1000 W (LF) + 500 W (HF) Class D Bi-amp

**Frequency Response (-10dB) :** 48 Hz - 20 kHz

**Built-in DSP :** 64-bit processing unit

**Maximum SPL (1m) :** 129 dB (musical program)

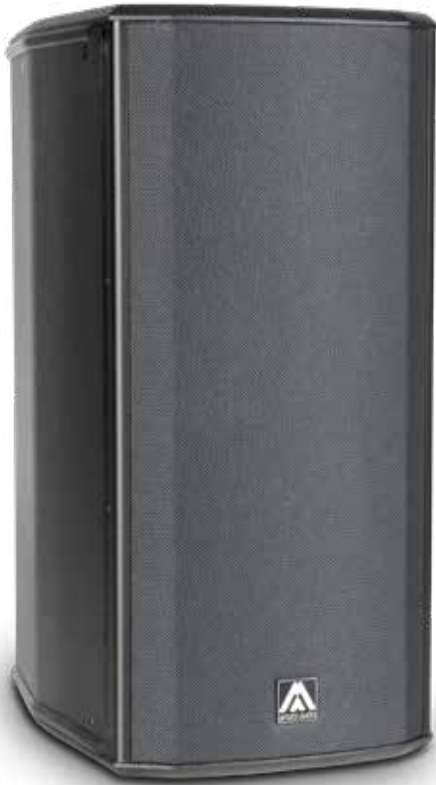
**Directivity (-6dB) :** 80° (H) x 80° (V)

**Dimensions (HxWxD) :** 623 x 402 x 430 mm

**Weight :** 22.6 kg



# High Performance Point Source



## X102FD

### Self-powered

2x 10" ACTIVE SELF-POWERED  
BI-AMPLIFIED. 3000W

**64-bit DSP with FIR filters.**

Ethernet connectivity · Built-in DSP – Presets –  
Touchscreen



**Amplifier Program Power :** 2500 W (LF) + 500 W (HF) Class D Bi-amp

**Frequency Response (-10dB) :** 58 Hz - 19 kHz

**Built-in DSP :** 64-bit processing unit

**Maximum SPL (1m) :** 136 dB (musical program)

**Directivity (-6dB) :** 80° (H) x 60° (V) rotatable horn

**Dimensions (HxWxD) :** 704 x 330 x 460 mm

**Weight :** 32 kg



# Line array

NEW PRODUCT



## XA211

### Self-powered

2x 10" ACTIVE SELF-POWERED BI-AMPLIFIED. 3000 W

**64-bit DSP with FIR filters.**

Ethernet connectivity. Built-in DSP – Presets – Touchscreen



**Amplifier Program Power :** 2500 W (LF) + 500 W (HF) Class D Bi-amp

**Frequency Response (-10dB) :** 65 Hz - 19 kHz

**Built-in DSP :** 64-bit processing unit

**Maximum SPL (1m) :** 136 dB (musical program)

**Directivity (-6dB) :** 95° (H) x 10° (V)

**Dimensions (HxWxD) :** 294 x 740 x 566 mm

**Weight :** 37.4 kg





# Line array

NEW PRODUCT

## XA211P

2x 10" TWO-WAY LINE ARRAY MODULE FOR EXTERNAL DSP + BI-AMPLIFICATION. 1700 W or slave module to XA211



**Program Power :** 1450 W (LF) + 250 W (HF)

**Frequency Response (-10dB) :** 65 Hz - 2 kHz (LF) / 800 Hz - 19 kHz (HF)

**Sensitivity (1W/1m) :** 105 dB (LF) / 112 dB (HF)

**Maximum SPL (1m) :** 136 dB (LF) / 135 dB (HF) (musical program)

**Directivity (-6dB) :** 95° (H) x 10° (V)

**Dimensions (HxWxD) :** 294 x 740 x 566 mm

**Weight :** 35 kg



Standard configuration one XA211 powers one unit of XA211P.

# Line array



## X212AFD

### Self-powered

2x 12" + 4x6" + 2x3" ACTIVE SELF-POWERED TRI-AMPLIFIED. 4000 W

**64-bit DSP with FIR filters.**

Ethernet connectivity. Built-in DSP – Presets – Touchscreen



**Amplifier Program Power :** 2000 W (LF) + 1000 W (MF) + 1000 W (HF)  
Class D Tri-amplified

**Frequency Response (-10dB) :** 42 Hz - 18 kHz

**Built-in DSP :** 64-bit processing unit

**Maximum SPL (1m) :** 141 dB (musical program)

**Directivity (-6dB) :** 100° (H) x 8° (V)

**Dimensions (HxWxD) :** 372 x 1100 x 657 mm

**Weight :** 64.6 kg





**Technology and innovation**

The Xcellence series flagship system —the X212AFD— represents an evolutionary apex of line array design. Breakthrough technologies, advanced precision acoustic engineering, touchscreen control, Amate Audio’s next-generation ACTIVE +™ integrated power and control platform, and Dante® AoIP; these are just some of the top-line features of this phase linear, 2x 12” (LF), full range line array.

**Power and precision**

The distinctive V-shape cabinet geometry and 3-way active transducer configuration have been optimised throughout an extensive R&D program by our design team, to attain astounding levels of performance that include 100° horizontal and 8° vertical coverage, with constant directivity in the horizontal plane, and exceptional SPL. The 2x 12” LF, 4x 6” MF and dual 3” HF transducer pairings are discretely enclosed, independently powered and protected due to separate limiter settings with differing time constants.





# Subwoofer

## XW118

### Self-powered

18" ACTIVE SELF-POWERED SUBWOOFER. 2500 W

**64-bit DSP with FIR filters.**

Ethernet connectivity. Built-in DSP – Presets – Touchscreen

Cardiod presets included.



**Amplifier Program Power :** 2500 W Class D

**Frequency Response (-10dB) :** 30 Hz - 140 Hz

**Built-in DSP :** 64-bit processing unit

**Maximum SPL (1m) :** 133 dB (musical program)

**Directivity (-6dB) :** Omnidirectional

**Dimensions (HxWxD) :** 555 x 740 x 748 mm

**Weight :** 56.8 kg



# Subwoofer



## XW218

### Self-powered

2x 18" ACTIVE SELF-POWERED SUBWOOFER. 5000 W

**64-bit DSP with FIR filters.**

Ethernet connectivity. Built-in DSP – Presets – Touchscreen

Cardiod presets included.



**Amplifier Program Power :** 5000 W Class D

**Frequency Response (-10dB) :** 25 Hz - 130 Hz

**Built-in DSP :** 64-bit processing unit

**Maximum SPL (1m) :** 141 dB (musical program)

**Directivity (-6dB) :** Omnidirectional

**Dimensions (HxWxD) :** 1116 x 750 x 780 mm

**Weight :** 106 kg



NEW SOFTWARE

# DSP STUDIO 4

## REMOTE CONTROL SOFTWARE



### Enjoyable from scratch

Prepare your projects offline and effortlessly connect to your setup when on-site, ensuring a flawless transition to live performance. Modern, user-friendly interface designed for intuitive system setup. The new version of DSP Studio makes system configuration even smoother, featuring auto-detection and seamless cabinet integration.

### Intuitive and organised

Organising and controlling multiple cabinets is now more intuitive. Now compatible with MAC OS and enhanced for touchscreen interaction, the interface offers a natural and responsive setup process. Link identical cabinets or group various models and use different EQ and tuning parameters for each one thanks to an optimised layout grid, suitable for any project size.

### Get full control

Comprehensive control over every aspect of your sound system. Detailed feedback on input and output levels, amplifier temperature, and protection indicators are all at your disposal. Fine-tune parameters with precision: gain, limiter threshold, delay, polarity and parametric EQs for each individual cabinet or for each group or array.

### Unprecedented flexibility

Bespoke control protocol offering adjustments from anywhere in the venue. The software's three working modes —Configuration, Tuning, and Live— provide tailored functionality. Configure devices, assign IPs, and organize your layouts. Adjust your system's sound with selectable presets, filters, delays and gains. Monitor your devices in real-time, with temperature/VAC readings, limiter activity, and VU meters.





# DSP Studio 4

## Get instant access to outstanding sound

1

### Configure

Add cabinets to the layout and build your project

2

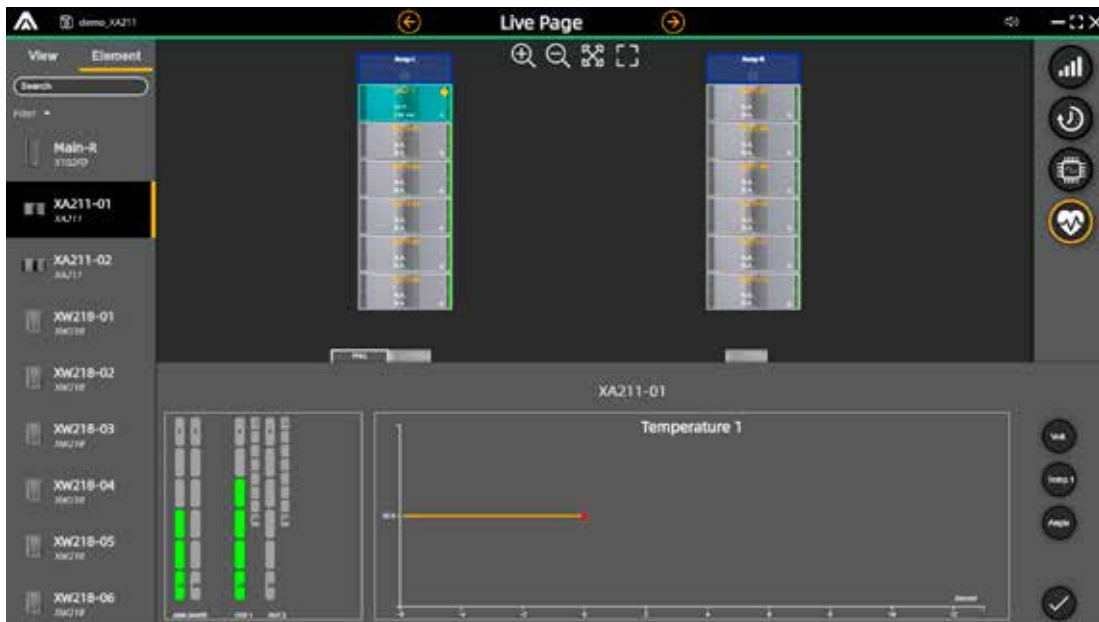
### Tuning

Create groups, assign views and set audio parameters

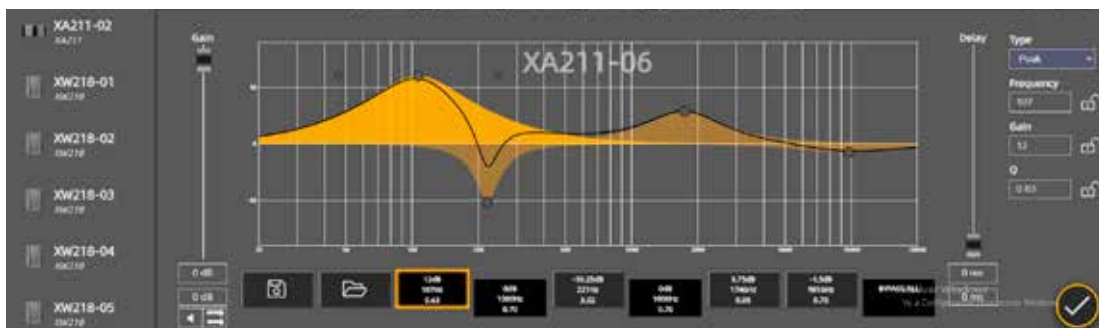
3

### Live

Monitor the devices in real time



Live Page



Advanced parameters setup

Available for:

X14FD, X102FD, XA211, X212AFD,  
XW118, XW218

# Xcellence Accessories



## Flight case

<b>FC-X14FD</b>	for 2 units of X14FD
<b>FC-X102FD</b>	for 2 units of X102FD
<b>FC-XA211</b>	for 4 units of XA211 with bumper
<b>FC-TAX212</b>	for 2 units of TA-X212



## Trolley

<b>TR- X212</b>	transport frame up to 4 units of X212AFD
-----------------	--



<b>TR- XW118</b>	wooden plate with reinforced wheels for XW118
------------------	---



## Protective cover

<b>NC-X102FD</b>	for X102FD + power cable
<b>NC-XW118</b>	for XW118
<b>NC-XW218</b>	for XW218
<b>NC-X212 / 4U</b>	for X212AFD + TR-X212



## Cable Tester

The ultimate tool for checking the health of your cables.  
Supports SpeakON, XLR and RJ45

## Cables



### PCS-1

XLR + PowerCon male to XLR + PowerCon female – 1 m



### PCS-2

XLR + PowerCon male to XLR + PowerCon female – 2 m



### MP/QBS Power/signal balanced cable

For active acoustic systems – 3x 2 mm<sup>2</sup> POWER (Mains)  
4x 0.22 mm<sup>2</sup> SIGNAL (high isolation quad balanced) – **100 m reel**



### CS-100 Balanced signal cable

2x 0.22 mm<sup>2</sup> Double shielded for balanced signal – **100 m reel**



### SPC-4B Speaker cable for bi-amplified systems

2x 4 mm<sup>2</sup> + 2x 2,5 mm<sup>2</sup> SUPERFLEX – **100 m reel**

## Ethernet cables



### ECRJ45-80

Ethernet cable with metal housing both ends – 0.8 m

### ECRJ45-130

Ethernet cable with metal housing both ends – 1.3 m

### ECRJ45-200

Ethernet cable with metal housing both ends – 2 m

### ECRJ45-500

Ethernet cable with metal housing both ends – 5 m

### ECRJ45-1200

Ethernet cable with metal housing both ends – 12 m

## M8 rigging eyebolt Stainless steel



### ACR-M8

for X14FD / X102FD

## Safety sling With accessories – Stainless steel



### SC-15

Safety sling



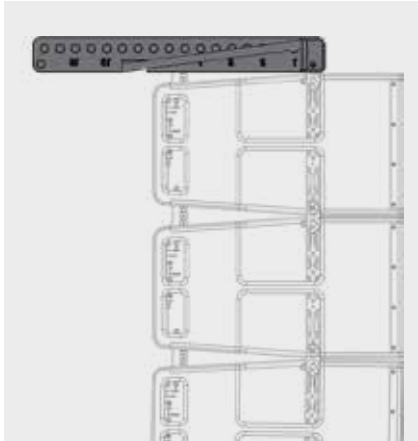
### BL-8

Ball-lock safety pin

# Xcellence Accessories

Stainless steel

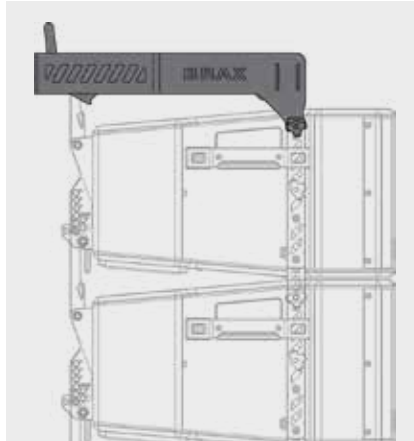
## Touring bumper



**TA-X212** for X212AFD

Loading 6 cabinets with 10:1 safety ratio  
Loading 12 cabinets with 5:1 safety ratio

## Touring bumper



**BRAX** for XA211

Loading 8 cabinets with 10:1 safety ratio  
Loading 16 cabinets with 5:1 safety ratio

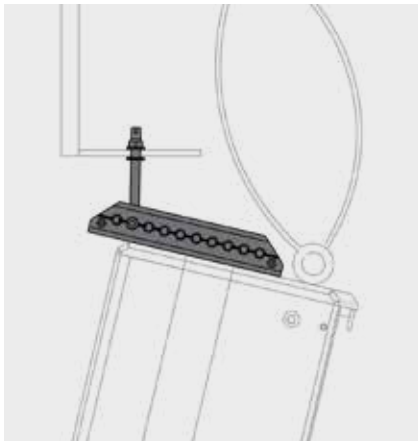
## Touring bumper



**BRWX** for XW118

Loading 4 cabinets with 10:1 safety ratio

## Flying bar



**RB-L**

for X14FD / X102FD  
Rigging bar

## Flying bar



**RB-L/GT**

for X14FD / X102FD  
Rigging bar with 50 mm hook

## Flying bar



**HR-L102**

for two units X102FD  
Vertical rigging bar with 3 pins

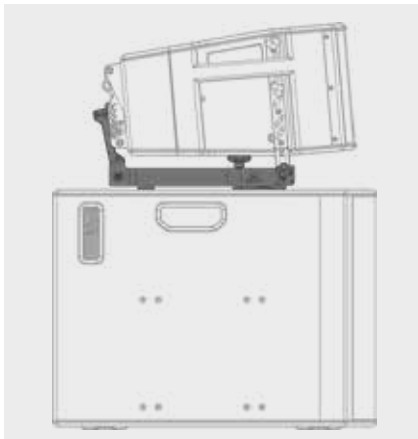
## Flying hardware



**KRW118** for XW118

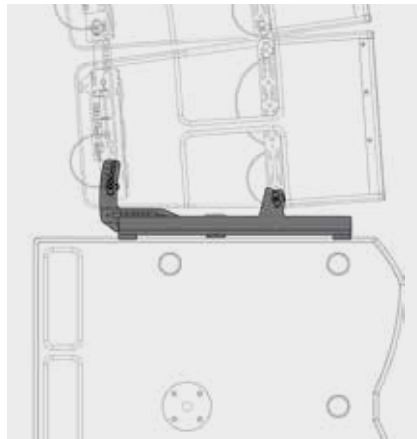


### Stacking



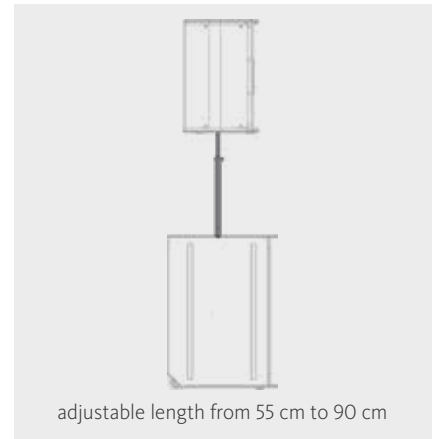
**STAX**  
for XA211 / XW118

### Stacking



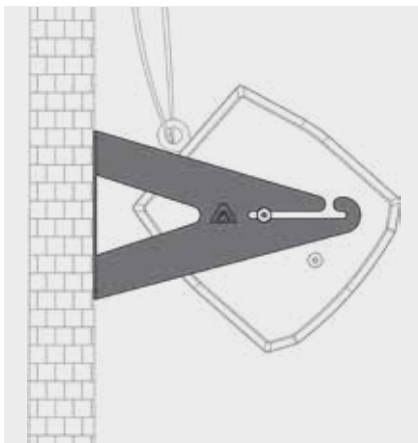
**FR-X212**  
for X212AFD / XW218

### Hardware



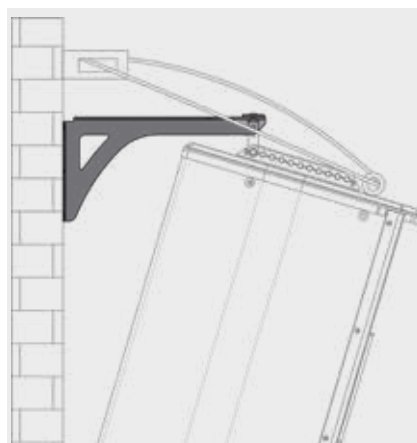
**SP/CRTL**  
for X14FD / X102FD / XW118 / XW218  
Ø 35 mm - length 55 cm ~ 90 cm - thread M20

### Wall mount bracket



**UB-L**  
for X14FD

### Wall mount bracket



**SP-WHR**  
for X14FD, X102FD

# NÍTiD-S

**Nítid S** is Amate Audio's new series of upgraded, active, compact fixed installation and portable PA loudspeakers.

Now in its second generation, **Nítid S** deploys the company's latest developments in amplification and control technology in symbiosis with our advanced acoustic design and engineering, to achieve exceptional levels of performance from ultra-compact loudspeaker systems.

**Nítid** - from the Latin *nitidus*, meaning bright, glistening or lustrous, clear, and *nitere*, to shine.



## Evolution

Design looking for better performance. New S-series models build on the success, innovation and best-in-class performance of the original Nítid designs with improved features including a recessed moulded connector plate, more highly stylised form factor and improved robustness of the world's most acoustically transparent pro-audio speaker grille.

## High-class performance

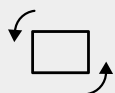
Nítid's onboard integrated 'plug & play' power and control platform now includes advanced high-order FIR filtering for full phase coherent PEQ adjustment and absolute phase alignment of common cabinet couplings. The control DSP manages the relevant amplifier gain, limiting, cross-over settings and alignment delays, providing previously unattainable levels of system performance every time – in an instant.

## Touchscreen control

Amate Audio's latest generation DSP system management is integrated with 3rd generation Class D amplification. Colour touchscreen operation and monitoring of DSP system includes access to powerful presets – engineered by Amate Audio's R&D team – that instantly configure your Nítid loudspeaker for the majority of common application environments within seconds, prior to rigging or installation.

## The perfect balance

An ongoing programme of research and development ensures that Nítid series loudspeakers continue to achieve the highest levels of output and performance from the most compact-sized designs, in an unrivalled synthesis of engineering and aesthetic form.



Smart Screen  
Rotation





## S6L Active DSP Self-powered



**6" TWO-WAY ACTIVE SELF-POWERED FULL-RANGE – 250 W**

Colour Touchscreen. 64-bit DSP  
Built-in presets, FIR filters

**Amplifier Program Power :** 200 W (LF) + 50 W (HF) Class d Bi-amp

**Frequency Response (-10dB) :** 62 Hz - 20 kHz

**Built-in DSP :** 64-bit processing unit

**Maximum SPL (1m) :** 115 dB (musical program)

**Directivity (-6dB) :** 70° (H) x 70° (V)

**Dimensions (HxWxD) :** 400 x 230 x 250 mm      **Weight :** 7.2 kg

## S6LP

**6" TWO-WAY PASSIVE SPEAKER FULL-RANGE – 200 W**

S6P/8 Nominal impedance: 8Ω  
S6P/16 Nominal impedance: 16Ω

**Program Power :** 200 W

**Frequency Response (-10dB) :** 63 Hz - 20 kHz

**Sensitivity (1W/1m) :** 92 dB

**Maximum SPL (1m) :** 115 dB (musical program)

**Directivity (-6dB) :** 70° (H) x 70° (V)

**Dimensions (HxWxD) :** 400 x 230 x 250 mm      **Weight :** 6.4 kg





# Point Source



## S26 Active DSP Self-powered



**2x 6" TWO-WAY ACTIVE SELF-POWERED  
FULL-RANGE – 450 W**

**Colour Touchscreen.** 64-bit DSP  
Built-in presets, FIR filters

**Amplifier Program Power :** 400 W (LF) + 50 W (HF) Class D Bi-amp

**Frequency Response (-10dB) :** 58 Hz - 20 kHz

**Built-in DSP :** 64-bit processing unit

**Maximum SPL (1m) :** 121 dB (musical program)

**Directivity (-6dB) :** 70° (H) x 70° (V)

**Dimensions (HxWxD) :** 572 x 230 x 250 mm

**Weight :** 10.6 kg

## S26P

**2x 6" TWO-WAY PASSIVE SPEAKER  
FULL-RANGE – 400 W**

S26P/8 Nominal impedance: 8Ω  
S26P/16 Nominal impedance: 16Ω

**Program Power :** 400 W

**Frequency Response (-10dB) :** 62 Hz - 20 kHz

**Sensitivity (1W/1m) :** 95 dB

**Maximum SPL (1m) :** 121 dB (musical program)

**Directivity (-6dB) :** 70° (H) x 70° (V)

**Dimensions (HxWxD) :** 572 x 230 x 250 mm

**Weight :** 9.3 kg



# Column Array

NEW PRODUCT



## S46 Active DSP Self-powered Control Touchscreen

**4x 6" TWO-WAY ACTIVE SELF-POWERED  
FULL-RANGE – 700 W**

Colour Touchscreen. 64-bit DSP  
Built-in presets, FIR filters

**Amplifier Program Power :** 600 W (LF) + 100 W (HF) Class D Bi-amp

**Frequency Response (-10dB) :** 50 Hz - 19 kHz

**Built-in DSP :** 64-bit processing unit

**Maximum SPL (1m) :** 125 dB (musical program)

**Directivity (-6dB) :** 50° to 100° (H) x 55° (V) asymmetrical horn

**Dimensions (HxWxD) :** 1056 x 250 x 274 mm

**Weight :** 20.3 kg

## S46P

**4x 6" TWO-WAY PASSIVE SPEAKER  
FULL-RANGE – 600 W**

Nominal impedance: 8Ω

**Program Power :** 600 W

**Frequency Response (-10dB) :** 50 Hz – 19 kHz

**Sensitivity (1W/1m) :** 97 dB

**Maximum SPL (1m) :** 125 dB (musical program)

**Directivity (-6dB) :** 50° to 100° (H) x 55° (V) asymmetrical horn

**Dimensions (HxWxD) :** 1056 x 250 x 274 mm

**Weight :** 19.7 kg



# Point Source / Stage Monitor



## S10 Active DSP Self-powered



**10" TWO-WAY ACTIVE SELF-POWERED  
FULL-RANGE – 600 W**

Colour Touchscreen. 64-bit DSP  
Built-in presets, FIR filters

**Amplifier Program Power :** 500 W (LF) + 100 W (HF) Class D Bi-amp

**Frequency Response (-10dB) :** 55 Hz - 19 kHz

**Built-in DSP :** 64-bit processing unit

**Maximum SPL (1m) :** 125 dB (musical program)

**Directivity (-6dB) :** 50° to 100° (H) x 55° (V) asymmetrical horn

**Dimensions (HxWxD) :** 543 x 313 x 358 mm

**Weight :** 15 kg

## S10P

**10" TWO-WAY PASSIVE SPEAKER  
FULL-RANGE – 500 W**

Nominal impedance: 8Ω

**Program Power :** 500W

**Frequency Response (-10dB) :** 55 Hz - 19 kHz

**Sensitivity (1W/1m) :** 96 dB

**Maximum SPL (1m) :** 123 dB (musical program)

**Directivity (-6dB) :** 50° to 100° (H) x 55° (V) asymmetrical horn

**Dimensions (HxWxD) :** 543 x 313 x 358 mm

**Weight :** 15.3 kg



# Point Source / Stage Monitor



## S12 Active DSP Self-powered



**12" TWO-WAY ACTIVE SELF-POWERED  
FULL-RANGE – 1000 W**

**Colour Touchscreen.** 64-bit DSP  
Built-in presets, FIR filters

**Amplifier Program Power :** 800 W (LF) + 200 W (HF) Class D Bi-amp

**Frequency Response (-10dB) :** 52 Hz – 19 kHz

**Built-in DSP :** 64-bit processing unit

**Maximum SPL (1m) :** 128 dB (musical program)

**Directivity (-6dB) :** 50° to 100° (H) x 55° (V) asymmetrical horn

**Dimensions (HxWxD) :** 623 x 363 x 398 mm

**Weight :** 19.9 kg

## S12P

**12" TWO-WAY PASSIVE SPEAKER  
FULL-RANGE – 800 W**

Nominal impedance: 8Ω

**Program Power :** 800 W

**Frequency Response (-10dB) :** 53 Hz – 19 kHz

**Sensitivity (1W/1m) :** 98 dB

**Maximum SPL (1m) :** 127 dB (musical program)

**Directivity (-6dB) :** 50° to 100° (H) x 55° (V) asymmetrical horn

**Dimensions (HxWxD) :** 623 x 363 x 398 mm

**Weight :** 21.7 kg





# Point Source / Stage Monitor



## S15 Active DSP Self-powered



**15" TWO-WAY ACTIVE SELF-POWERED  
FULL-RANGE – 1000 W**

Colour Touchscreen. 64-bit DSP  
Built-in presets, FIR filters

**Amplifier Program Power :** 800 W (LF) + 200 W (HF) Class D Bi-amp

**Frequency Response (-10dB) :** 50 Hz - 19 kHz

**Built-in DSP :** 64-bit processing unit

**Maximum SPL (1m) :** 128 dB (musical program)

**Directivity (-6dB) :** 50° to 100° (H) x 55° (V) asymmetrical horn

**Dimensions (HxWxD) :** 733 x 423 x 460 mm

**Weight :** 23.8 kg

## S15P

**15" TWO-WAY PASSIVE SPEAKER  
FULL-RANGE – 800 W**

Nominal impedance: 8Ω

**Program Power :** 800 W

**Frequency Response (-10dB) :** 50 Hz - 19 kHz

**Sensitivity (1W/1m) :** 99 dB

**Maximum SPL (1m) :** 128 dB (musical program)

**Directivity (-6dB) :** 50° to 100° (H) x 55° (V) asymmetrical horn

**Dimensions (HxWxD) :** 733 x 423 x 460 mm

**Weight :** 24.8 kg



# Stage Monitor / Point Source

NEW PRODUCT



**S12Sm** Active DSP  
Self-powered

Control  
Touchscreen 

**12" TWO-WAY ACTIVE SELF-POWERED  
FULL-RANGE – 1000 W**

Colour Touchscreen. 64-bit DSP  
Built-in presets, FIR filters

**Amplifier Program Power :** 800 W (LF) + 200 W (HF) Class D Bi-amp

**Frequency Response (-10dB) :** 58 Hz – 19 kHz

**Built-in DSP :** 64-bit processing unit

**Maximum SPL (1m) :** 128 dB (musical program)

**Directivity (-6dB) :** 50° to 100° (H) x 55° (V) asymmetrical horn

**Dimensions (HxWxD) :** 440 x 364 x 623 mm

**Weight :** 19.6 kg



# Three way Full Range Main PA Sidefill/ Drumfill

An integrated three-way system covering the full range of frequencies with a 3200 W total power. Two S318 cabinets allow having a complete system which needs no installation, making it easy to be used either as a main PA or drumfill/sidefill in only a few seconds.

**S318** Active DSP Self-powered Control Touchscreen 

**18" LF + 12" MF + 1.4" HF THREE-WAY ACTIVE SELF-POWERED. FULL-RANGE - 3200 W**

Colour Touchscreen. 64-bit DSP  
Built-in presets, FIR filters

**Amplifier Program Power :** 2400 W (LF) + 800 W (HF) Class D Bi-amp

**Frequency Response (-10dB) :** 35 Hz – 19 kHz

**Built-in DSP :** 64-bit processing unit

**Maximum SPL (1m) :** 133 dB (musical program)

**Directivity (-6dB) :** 60° (H) x 50° (V)

**Dimensions (HxWxD) :** 1230 x 520 x 540 mm

**Weight :** 63 kg



# Subwoofer



## S12W Active DSP Self-powered Touchscreen

**12" ACTIVE SELF-POWERED SUBWOOFER – 1000 W**

Colour Touchscreen. 64-bit DSP  
Built-in presets, FIR filters

**Amplifier Program Power :** 1000 W Class D

**Frequency Response (-10dB) :** 38 Hz - 130 Hz

**Built-in DSP :** 64-bit processing unit

**Maximum SPL (1m) :** 126 dB (musical program)

**Directivity (-6dB) :** Omnidirectional

**Dimensions (HxWxD) :** 384 x 520 x 582 mm

**Weight :** 26.7 kg

## S12WP

**12" SUBWOOFER FOR EXTERNAL ACTIVE AMPLIFICATION – 1000 W**

Nominal impedance: 8Ω

**Program Power :** 1000 W

**Frequency Response (-10dB) :** 38 Hz - 130 Hz (with external DSP)

**Sensitivity (1W/1m) :** 96 dB

**Maximum SPL (1m) :** 126 dB (musical program)

**Directivity (-6dB) :** Omnidirectional

**Dimensions (HxWxD) :** 384 x 520 x 582 mm

**Weight :** 24.9 kg





# Subwoofer



## S18W Active DSP Self-powered Control Touchscreen

**18" ACTIVE SELF-POWERED SUBWOOFER – 2500 W**

Colour Touchscreen. 64-bit DSP  
Built-in presets, FIR filters

**Amplifier Program Power :** 2500 W Class D

**Frequency Response (-10dB) :** 33 Hz – 140 Hz

**Built-in DSP :** 64-bit processing unit

**Maximum SPL (1m) :** 132 dB (musical program)

**Directivity (-6dB) :** Omnidirectional

**Dimensions (HxWxD) :** 555 x 740 x 748 mm

**Weight :** 60 kg

## S18WP

**18" SUBWOOFER FOR EXTERNAL ACTIVE AMPLIFICATION – 2400 W**

Nominal impedance: 8Ω

**Program Power :** 2400 W

**Frequency Response (-10dB) :** 33 Hz – 140 Hz (with external DSP)

**Sensitivity (1W/1m) :** 98 dB

**Maximum SPL (1m) :** 132 dB (musical program)

**Directivity (-6dB) :** Omnidirectional

**Dimensions (HxWxD) :** 555 x 740 x 748 mm

**Weight :** 58 kg



# Subwoofer



## S218W Active DSP Self-powered Colour Touchscreen

**2x 18" ACTIVE SELF-POWERED SUBWOOFER – 2500 W**

Colour Touchscreen. 64-bit DSP  
Built-in presets, FIR filters

**Amplifier Program Power :** 2500 W Class D

**Frequency Response (-10dB) :** 30 Hz – 130 Hz

**Built-in DSP :** 64-bit processing unit

**Maximum SPL (1m) :** 137 dB (musical program)

**Directivity (-6dB) :** Omnidirectional

**Dimensions (HxWxD) :** 1116 x 750 x 780 mm

**Weight :** 110 kg

## S218WP

**2x 18" SUBWOOFER FOR EXTERNAL ACTIVE AMPLIFICATION – 4800 W**

Nominal impedance: 4Ω

**Program Power :** 4800 W

**Frequency Response (-10dB) :** 30 Hz – 130 Hz (with external DSP)

**Sensitivity (1W/1m) :** 102 dB

**Maximum SPL (1m) :** 139 dB (musical program)

**Directivity (-6dB) :** Omnidirectional

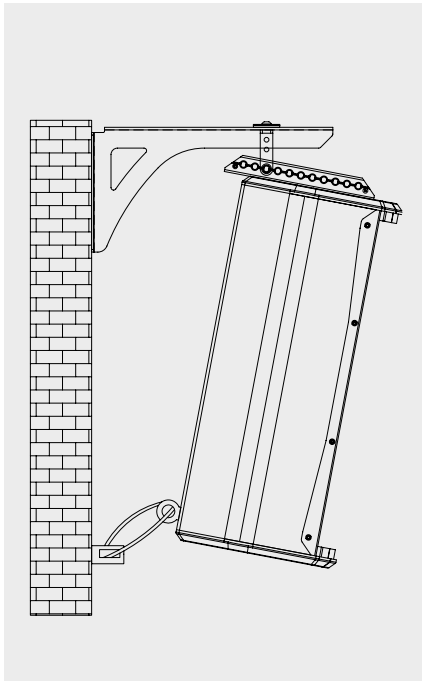
**Dimensions (HxWxD) :** 1116 x 750 x 780 mm

**Weight :** 108 kg

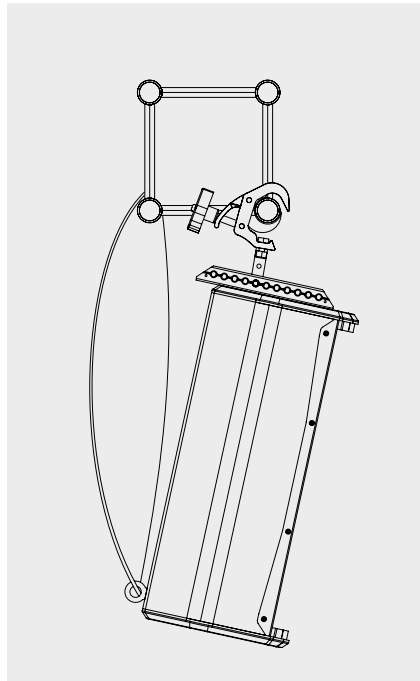


# Nítid-S Configurations

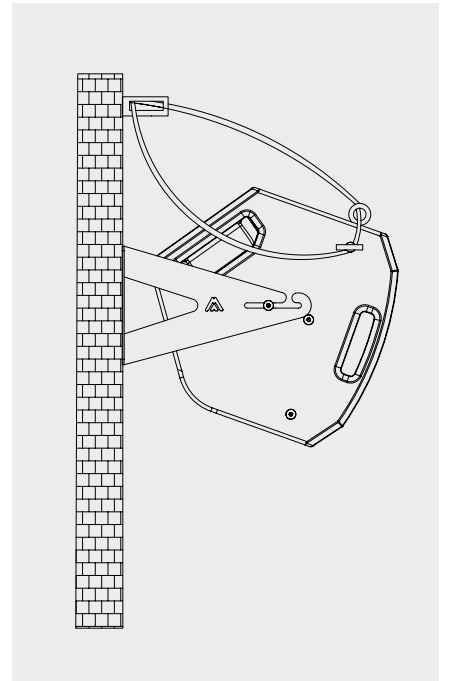
## Flying Hardware



S26 + SP-WHR + RB-S

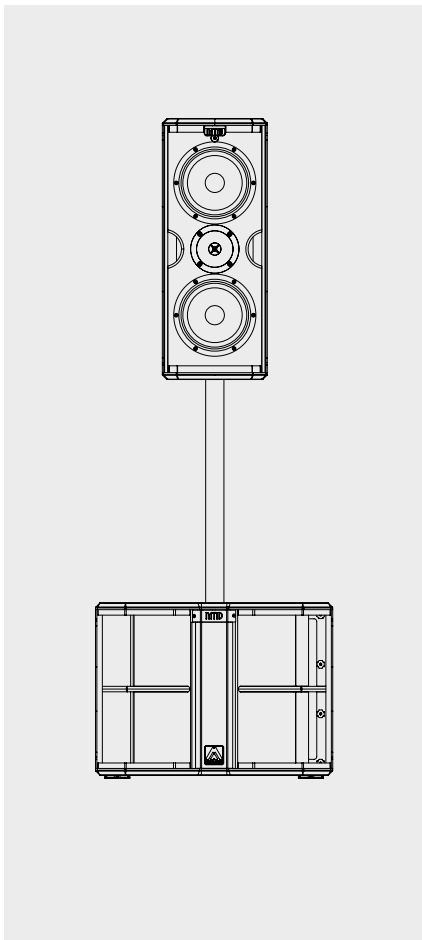


S26 + RB-S/GT

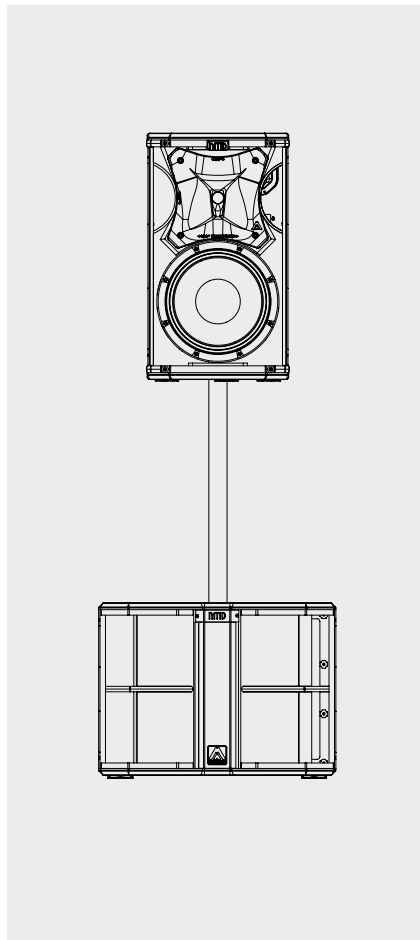


S12 + UBL

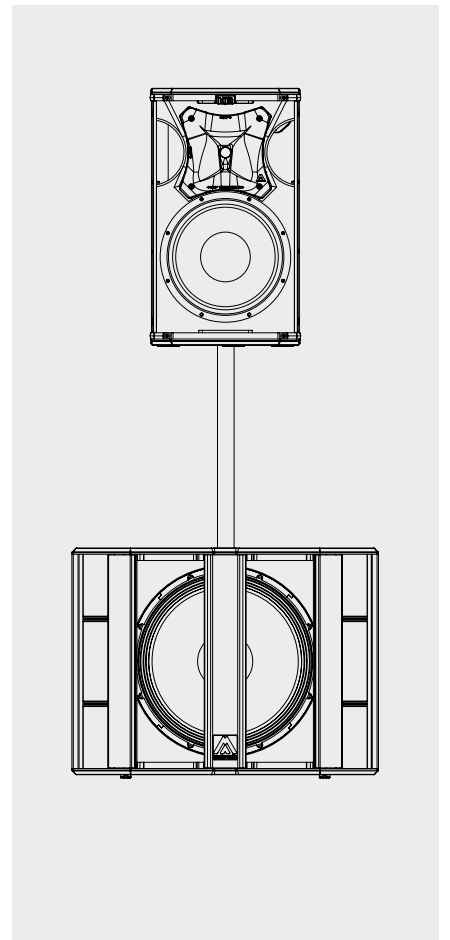
## Stacking Hardware



S26 + S12W + SP/CRTL



S10 + S12W + SP/CRTL



S12 + S18W + SP/CRTL

# NÍTiD - N

**Nítid** is the origin that led the way to our new Nítid S series. After years of investigation and product development, the resulting range of active systems became a turning point in acoustic research and sound reproduction.

**Nítid's** success provided our R&D team with the right tools to keep developing new products that make it a priority to meet Amate Audio's sound quality standards.





### Unique design

Distinguishing details include the speaker grille, exclusively designed for an attractive appearance, maximum protection, and the best perforation coefficient, for improved sound quality. The Polyurea® finish offers durable protection for the birch-ply cabinet, and electronic circuits and controls are smartly protected against moisture. A wide range of accessories is provided for whatever your application is.

### Control panel

Our digital signal processing (DSP) is integrated with 3rd generation Class D amplification and operated via our dedicated SensitiveTouch™ keypad technology. With no mechanical components or moving parts, the SensitiveTouch™ capacitive sensor keypad is highly responsive, weatherproof and durable compared with conventional electronic controls, in addition to being effectively failsafe.

### Amazing performance

The integrated 'plug & play' active power and control system includes DSP presets for easy setup and amazing sound, and the comprehensive control interface includes instantly recallable presets for setting up the Nítid. The accurate match between transducers, DSP and amplifiers provides a fully optimised system for the most demanding applications.

### The value of form-function

Nítid series is the culmination of an intensive program of research, development and optimisation, to achieve the greatest possible power and performance from the most compact-sized cabinet. Every aspect of its form factor has resulted from the examination and consideration of optimum acoustic response, ergonomics, construction and appearance.

***With the SensitiveTouch™ keypad and display, you can configure your Nítid for use on-stage in just a few seconds.***



# Point Source / Stage Monitor



## N12A6 Active DSP Self-powered

12" TWO-WAY ACTIVE SELF-POWERED  
FULL-RANGE – 600 W

DSP with SensitiveTouch panel  
Built-in presets

**Amplifier Program Power** : 500 W (LF) + 100 W (HF) Class D Bi-amp

**Frequency Response (-10dB)** : 52 Hz – 19 kHz

**Built-in DSP** : 48-bit processing unit

**Maximum SPL (1m)** : 126 dB (musical program)

**Directivity (-6dB)** : 50° to 100° (H) x 55° (V) asymmetrical horn

**Dimensions (HxWxD)** : 623 x 360 x 390 mm

**Weight** : 20 kg

## N12P7

12" TWO-WAY PASSIVE SPEAKER  
FULL-RANGE – 700 W

Nominal impedance: 8Ω

**Program Power** : 700 W

**Frequency Response (-10dB)** : 52 Hz – 19 kHz

**Sensitivity (1W/1m)** : 98 dB

**Maximum SPL (1m)** : 127 dB (musical program)

**Directivity (-6dB)** : 50° to 100° (H) x 55° (V) asymmetrical horn

**Dimensions (HxWxD)** : 623 x 360 x 390 mm

**Weight** : 19.2 kg



# Line array



Standard configuration  
one N208 powers one N208P

## N208 Active DSP Self-powered

2x 8" TWO-WAY ACTIVE SELF-POWERED  
LINE ARRAY - 1500W

DSP with SensitiveTouch panel  
Built-in presets

**Amplifier Program Power :** 1000 W (LF) + 500 W (HF) Class D Biamp

**Frequency Response (-10dB) :** 78 Hz - 18 kHz

**Built-in DSP :** 48-bit processing unit

**Maximum SPL (1m) :** 129 dB (musical program)

**Directivity (-6dB) :** 110° (H) x 11° (V)

**Dimensions (HxWxD) :** 279 x 684 x 522 mm

**Weight :** 23 kg

## N208P

2x 8" TWO-WAY LINE ARRAY MODULE FOR EXTERNAL  
ACTIVE BI-AMPLIFICATION - 1200 W  
Slave module to N208

**Program Power :** 1000 W (LF) + 200 W (HF)

**Frequency Response (-10dB) :** 78 Hz - 2k2Hz (LF) / 1k2Hz - 18kHz (HF)

**Sensitivity (1W/1m) :** 100 dB (LF) / 108 dB (HF)

**Maximum SPL (1m) :** 130 dB (LF) / 131 dB (HF) (musical program)

**Directivity (-6dB) :** 110° (H) x 11° (V)

**Dimensions (HxWxD) :** 279 x 684 x 522 mm

**Weight :** 21 kg



# Nítid Accessories

## Flight Case



**FC-S26** for 4 units of S26, S26P

---

**FC-S10** for 2 units of S10, S10P

---

**FC-S12** for 2 units of S12, S12P, N12A6, N12P7

---

**FC-S15** for 2 units of S15, S15P

---

**FC-S12SM** for 2 units of S12SM

---

**FC-S12W** for 2 units of S12W, S12WP

---

**FC-N208** for 4 units of N208

---

## Trolley



**TR-XW118** wooden plate with reinforced wheels for S18W and S18WP

---

## Transport / protection cover



**NC-S26** for S26, S26P

---

**NC-S46** for S46, S46P

---

**NC-S10** for S10, S10P

---

**NC-S12** for S12, S12P

---

**NC-S12W** for S12W, S12WP

---

**NC-S318** for S318

---

**NC-XW118** for S18W, S18WP

---

**NC-XW218** for S218W, S218WP

---





## M8 rigging eyebolt Stainless steel

**ACR-M8** for S6L, S6LP, S26, S26P, S46, S46P, S10, S10P, S12, S12P, N12A6, N12P7, S15, S15P, S318

---



## Safety sling With accessories – Stainless steel

**SC-15** for S6L, S6LP, S26, S26P, S46, S46P, S10, S10P, S12, S12P, N12A6, N12P7, S15, S15P

---



## Cable Tester

The ultimate tool for checking the health of your cables.  
Supports SpeakON, XLR and RJ45

---

## Cables

### PCS-1

XLR + PowerCon male to XLR + PowerCon female – 1 m

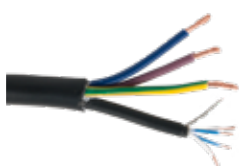
---



### PCS-2

XLR + PowerCon male to XLR + PowerCon female – 2 m

---



### MP/QBS Power/signal balanced cable

For active acoustic systems  
3x 2 mm<sup>2</sup> POWER (Mains)  
4x 0,22 mm<sup>2</sup> SIGNAL (high isolation quad balanced) – **100 m reel**

---



### CS-100 Balanced signal cable

2x 0,22 mm<sup>2</sup> Double shielded for balanced signal – **100 m reel**

---



### SPC-4B Speaker cable for bi-amplified systems

2x 4 mm<sup>2</sup> + 2x 2,5 mm<sup>2</sup> SUPERFLEX – **100 m reel**

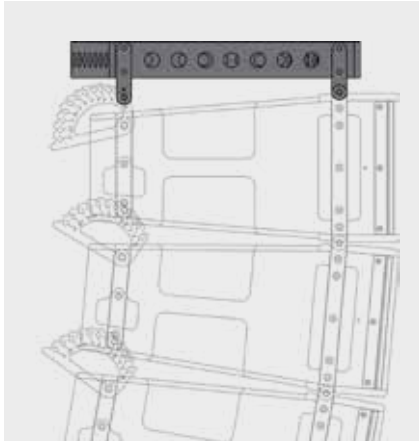
---



# Nítid Accessories

Stainless steel

## Touring bumper



**TA-X208R**

for flying N208

## Touring bumper



**BRWX**

for flying S18W, S18WP

## Flying hardware



**KRW118**

for flying S18W, S18WP

## Flying bar



**RB-S**

for S6L, S6LP, S26, S26P, S46, S46P, S10, S10P, N12A6, N12P7

---

**RB-L**

for S12, S12P, S15, S15P

---

Rigging bar

## Flying bar



**RB-S/GT**

for S6L, S6LP, S26, S26P, S46, S46P, S10, S10P, N12A6, N12P7

---

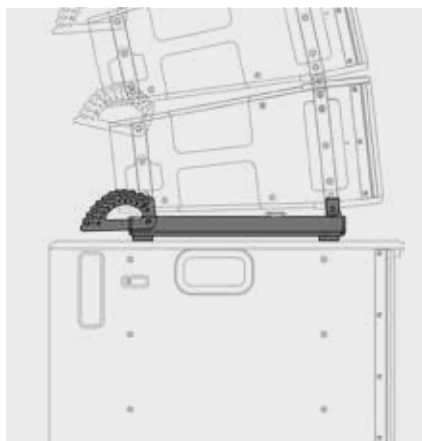
**RB-L/GT**

for S12, S12P, S15, S15P

---

Rigging bar with 50mm hook

### Stacking frame



#### FR-208R

for N208 over S218W, S218WP, S18W, S18WP

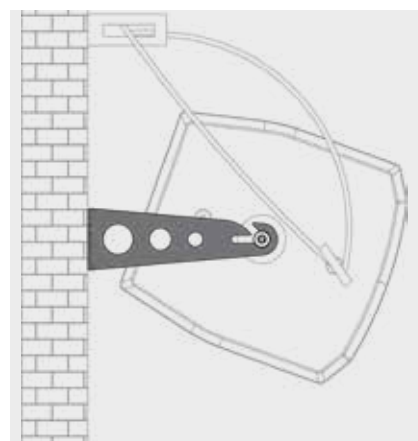
### Hardware



#### SP/CRTL

for all models  
 Ø 35 mm - length 55 cm ~ 90 cm - thread M20

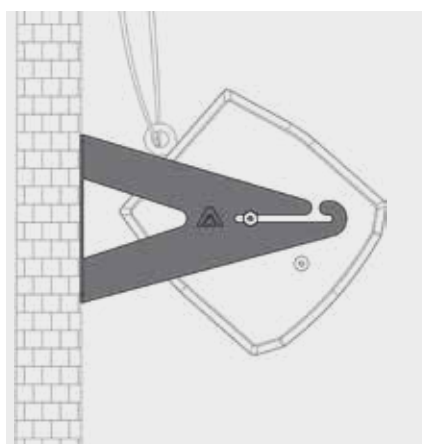
### Wall mount bracket



#### SP-S26

for S26, S26P

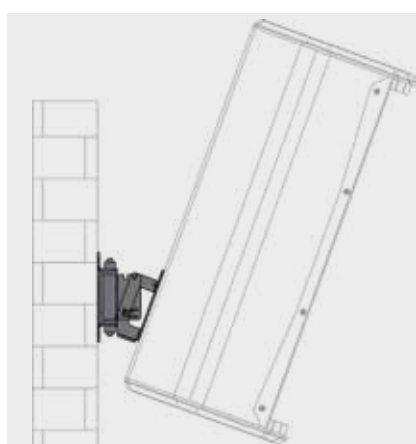
### Wall mount bracket



#### UB-L

for S26, S26P, S10, S10P, S12, S12P, N12A6, N12P7, S15, S15P

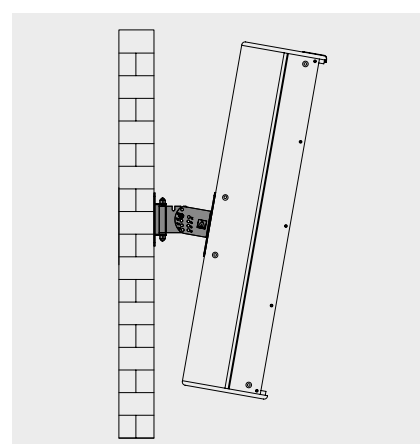
### Wall mount bracket



#### SP-6N

for S6L, S6LP, S26, S26P, G7

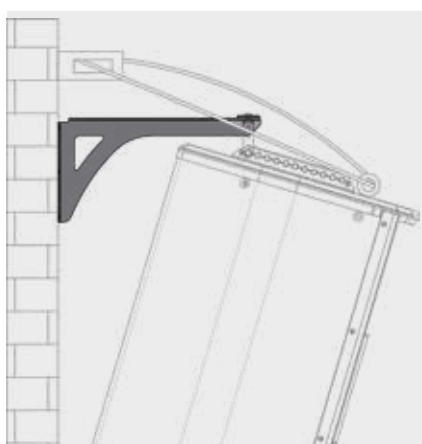
### Wall mount bracket



#### SP-46N

for S46, S46P

### Wall mount bracket



#### SP-WHR

for S6L, S6LP, S26, S26P, S46, S46P, S10, S10P, S12, S12P, N12A6, N12P7, S15, S15P

# Multipoint PA Solutions



## G7



Available in white, black, titanium and anthracite.

Two-way passive full-range speaker system  
6.5" woofer with carbon fiber cone  
1" titanium diaphragm neodymium tweeter

Nominal impedance: 16 Ω

**Program power** : 120 W

**Sensitivity (1W/1m)** : 91 dB

**Maximum SPL (1m)** : 112dB (musical program)

**Directivity** : 80° conical

**Frequency Response (-10dB)** : 60 Hz - 20 kHz

**Dimensions (HxWxD)** : 296 x 209 x 218 mm

**Weight** : 3.6 kg



SP-6N **not** included



U-Bracket included



## T-G7

100V Transformer kit for G7

**Specifications:** 100V Line transformer with selector.  
250 Ω (40 W), 500 Ω (20 W), 1000 Ω (10 W), 2000 Ω (5 W) Direct 16 Ω (120 W)



# CS7

Two-way passive high performance coaxial ceiling speaker  
 6.5" woofer with polypropylene cone and butyl rubber surround  
 1" titanium diaphragm neodymium tweeter

Nominal impedance: 16 Ω

**Program Power** : 60 W

**Sensitivity (1W/1m)** : 91 dB

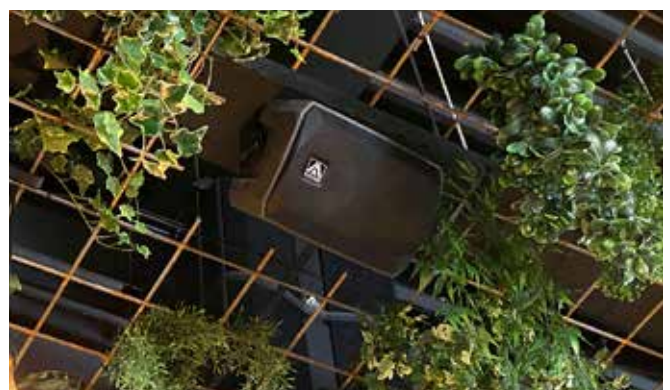
**Frequency Response (-10 dB)** : 60 Hz - 20 kHz

**Dimensions (ØExt / ØInt x D)** : 238 mm / 203 mm x 96mm

**Weight** : 1.4 kg

## TF-100

100 V line transformer  
 5W-10W-20W-40W



# Power Amplifiers

## HD series

The HD series consists of three models with a power output ranging from 350 W/8 Ω per channel, to 4000 W/4 Ω (bridged), all in a 19"/2U format, ideal for long-term fixed installations.

HD Series technology combines Class AB for HD1200, with Class H for the more powerful units HD3200 & HD4000. All models are based on our proven High Dynamic Power technology, which means higher dynamic headroom for an outstanding hearing experience.

They incorporate the soft-start circuit with gradual volume increase, clip limiters and special protection features such as temperature control, overcurrent, DC output and short circuit on the outputs.



Detachable front panel gives access to a limiter threshold adjust.

<b>HD1200</b>	2x 600 W/4 Ω - 2x 350 W / 8 Ω – 15 kg
<b>HD3200</b>	2x 1750 W/4 Ω - 2x 1000 W / 8 Ω – 21 kg
<b>HD4000</b>	2x 1200 W/4 Ω - 4000 W / 4 Ω BRIDGE – 21 kg



Rear view HD4000

High dynamic Class H amplifiers · Linear power supply · High reliability, best for installation · 2 U 19" rack. Soft Start · Balanced XLR inputs · Speakon and binding post outputs · Clip-Limiter · Bridge mode/Parallel switch 2 Ω stable · Forced cooling · Protections: DC, Short Circuit, Temperature, Breaker.



# TPD3K 2.1 AMPLIFIER • 64-bit DSP

The original TP concept (which stands for **TriPhonic**), a **3-channel processing amplifier** was first released back in 1988 by Amate Audio. Its unique 3-in-1 topology allowed making subwoofer plus satellite installations for small and medium-sized clubs very easy to set up and use, giving exceptional results only comparable with much more complex and expensive systems. One single device united one stereo amplifier for satellites, another channel for subwoofer and the active signal processing to drive the speaker systems. TPD... a step ahead!

## TPD3K 2000W (SUB) + 750+750W (L - R)

**Sensitivity:** 1.5 V **Input Impedance:** 20 kΩ

**Output Power L & R:** 400 + 400 W @ 8 Ω / 750 + 750 W @ 4 Ω **Subwoofer:** 1500 W @ 8 Ω / 2000 W @ 4 Ω

**Frequency Response L & R (adjustable DSP):** 70 Hz - 20 kHz (-3 dB) **Subwoofer:** 30 Hz - 200 Hz (-3 dB)

**Dimensions (HxWxD):** 88 x 482 x 370 mm (2U Rack 19") **Weight:** 9 kg

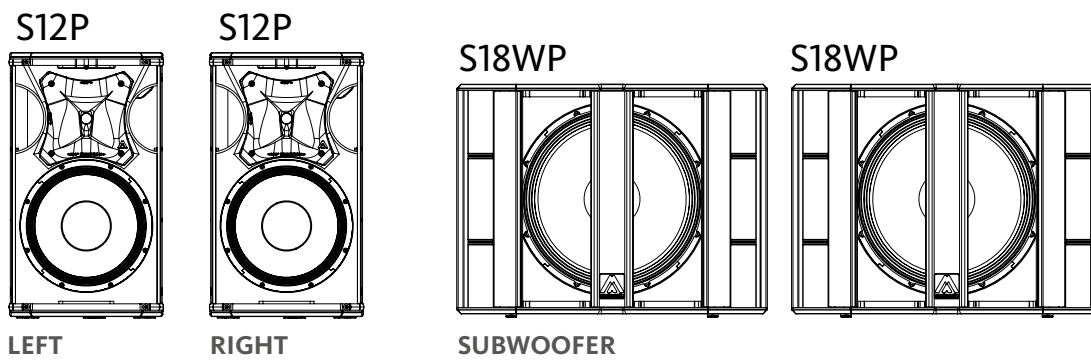


Front view TPD3K



Rear view TPD3K

## Typical Installation



# Signal Processing

## LMS206

### Digital loudspeaker management systems

Fully configurable by its front panel keypad/ LCD screen or by PC (Windows / MacOS).

For each input/output: 10 parametrical EQ, 2 seconds delay, limiter, crossover and polarity control. 64-bits architecture.



## LMS206

**Inputs :** 2 (XLR)

**Outputs :** 6 (XLR)

**Input Dynamic Range :** 110 dB

**Frequency Response :** 20 Hz to 20 kHz (+/- 0.5 dB)

**A/D Converters :** 24-bit, 48 kHz

**Dimensions (HxWxD) :** 1U 19" Rack 44 x 483 x 165 mm **Weight :** 2.3 kg



Rear view

## LMS608



## LMS608

### Ethernet control

**Inputs :** 4 (XLR) + 2 AES/EBU (1x XLR)

**Outputs :** 8 (XLR)

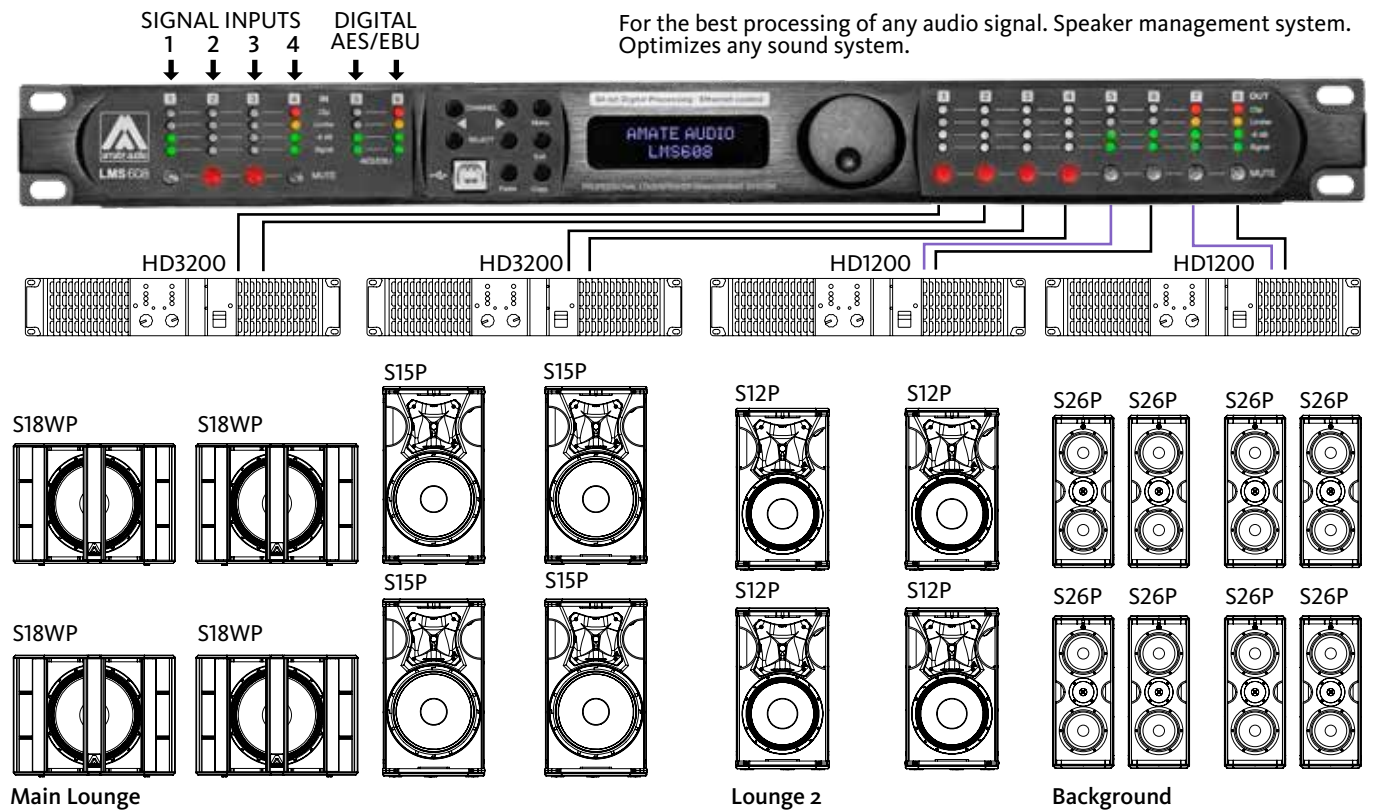
**Input Dynamic Range :** > 116 dB(A)

**Frequency Response :** 20 Hz - 20 kHz (+/- 0.5 dB)

**A/D Converters :** 24-bit, 96 kHz

**Dimensions (HxWxD) :** 1U 19" Rack, 44 x 483 x 165 mm **Weight :** 2.5 kg

## Typical Installation



# We are growing, we are expanding

**Amate Audio is an international company recognised around the world. Nowadays, more than 90% of the products manufactured at our factory in Terrassa, Barcelona, are sent abroad.**

From the vibrant nightlife of Mediterranean dance clubs to the echoing calls from mosques in Indonesia, Amate Audio's sound systems resonate around the world. Our technology enhances experiences in clubs, festivals, theatres, and auditoriums globally, including stadiums across the Netherlands, Spain, France, or Turkey. We have equipped vast churches in South Korea and brought to life two of the world's largest synchronized music fountains in Barcelona's Montjuic and Goyang, South Korea. Our reach extends to amusement parks in Germany, educational institutions in Latin America, as well as numerous other commercial, hospitality and enterprise environments. Our ambition is boundless, our scope limitless.

***More than 90% of the products manufactured at our factory are sent abroad***

Special mention must also be made of the many rental companies who operate their businesses based on the trust they place in Amate Audio products.



# We love what we do... Just like you!

**You who work, sing,  
perform, listen and  
– above all – enjoy**



Amate Audio crew

## **Vision**

To make high quality sound reinforcement accessible to audio professionals worldwide, setting a new standard in audio excellence and ensuring that superior sound experiences become a universal reality.

## **Mission**

To create high performance, price competitive professional sound solutions, through advanced design and smart technology, delivering an exceptional user experience.



# Product Overview

## January 2024



5101  
**YEARS**  
BARCELONA  
1972-2022

---


### Amate Audio S.L.

#### Main Office

Perpinyà, 25  
Polígon Industrial Nord  
08226 - Terrassa  
Barcelona - SPAIN

#### R&D and Factory

Violinista Vellsolà, 18  
08222 - Terrassa  
Barcelona - SPAIN

 +34 93 735 65 65

---

Due to our continuous research and development, pictures and product specifications are subject to change without prior notice.

[www.amateaudio.com](http://www.amateaudio.com)